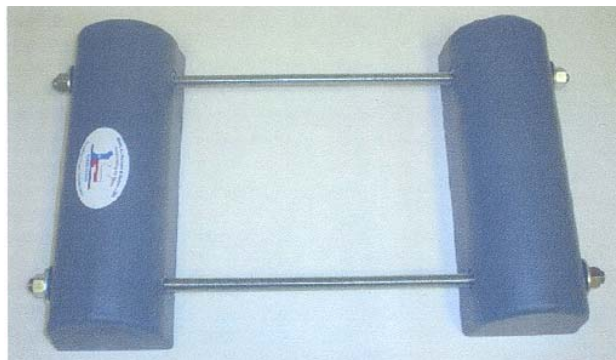


Tulsa Pipe Supports

Revised September 03



SERVICE AND QUALITY

We are committed to the continued tradition of outstanding quality, the utmost in value, and the finest services available to our customers and the industry. This same dedication carries over into Tulsa Pipe Supports.

TULSA PIPE SUPPORTS

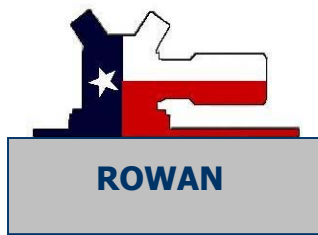
are the answer to pipe inspection problems. They also comply with the DOT pipeline safety code of Federal Regulations which covers Inspection of Gas Transmission and Hazardous Liquid Pipelines.



Robt. L. Rowan & Assoc., Inc. · 3816 Dacoma · P.O. Box 920760 · Houston, Texas 77292-0760
Tel (713) 681-5811 · Toll Free (800) 231-2908 · Fax (713) 681-5815

Visit our website at www.rlrowan.com

© Copyright 1999 – Robt. L. Rowan & Assoc., Inc.



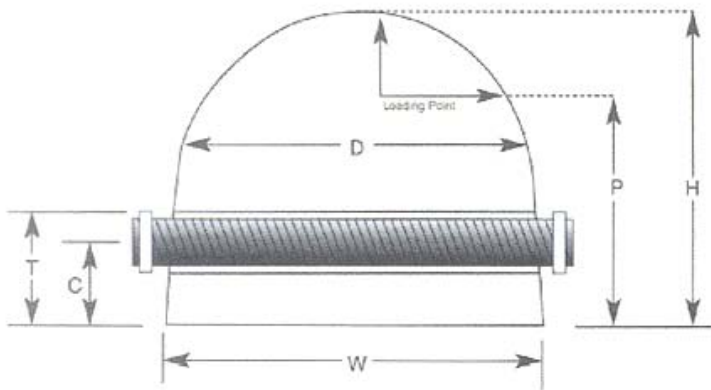
Tulsa Pipe Supports

Revised September 03

EPOXY PIPE SUPPORTS-

The Industry Standard:

- Easily removed for pipe inspection
- Eliminates pipe support fretting and vibration
- Lower cost compared to steel supports
- No painting required
- Non-corrosive
- Fits pipe sizes 2" to 54"
- Fully adjustable
- Available in 12" overall length, with 6" between bolt holes, & 16" with 12" between bolts holes.



PRODUCT SPECIFICATIONS IN INCHES			
D	Diameter	4	6
H	Height Overall	3.125	5.375
P	Height @ Load Point	2.8	4.0
C	Height to Bolt C/L	1.25	1.25
T	Height to Top of Bolt	1.625	2.0
W	Width at Base	4.25	6.5
Weight 12" Both Halves		22 lbs	50 lbs
Weight 16" Both Halves		29 lbs	66 lbs



Yard Header



Pipe Clamps-AVAILABLE



Discharge Bottle



Pipe Clamp and Support



Supports Without Clamps

Robt. L. Rowan & Assoc., Inc. · 3816 Dacoma · P.O. Box 920760 · Houston, Texas 77292-0760
Tel (713) 681-5811 · Toll Free (800) 231-2908 · Fax (713) 681-5815

Visit our website at www.rlrowan.com

© Copyright 1999 – Robt. L. Rowan & Assoc., Inc.