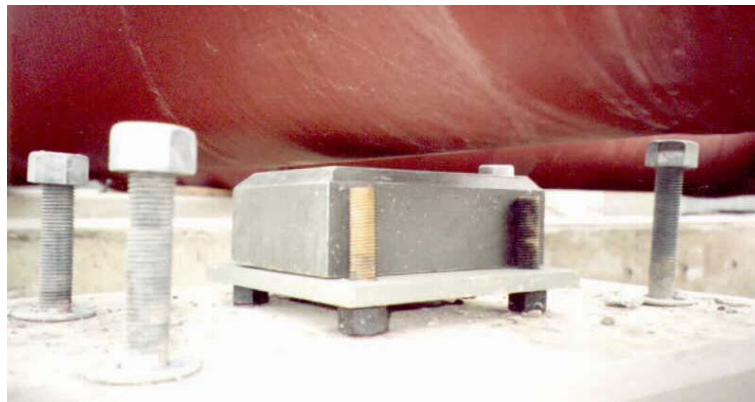


Adjustable Epoxy Pipe Supports

Revised September 03

Robt. L. Rowan & Assoc. Inc., working together with a major pipeline company, has developed a new adjustable pipe support that facilitates DOT corrosion inspection of above ground piping.

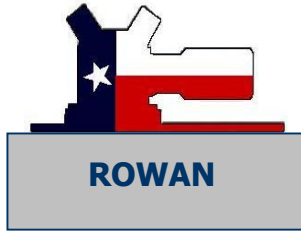


After supporting the pipe, simply loosen the four leveling nuts below the steel plate and remove the epoxy block to provide inspection access.

Robt. L. Rowan & Assoc., Inc. · 3816 Dacoma · P.O. Box 920760 · Houston, Texas 77292-0760
Tel (713) 681-5811 · Toll Free (800) 231-2908 · Fax (713) 681-5815

Visit our website at www.rlrowan.com

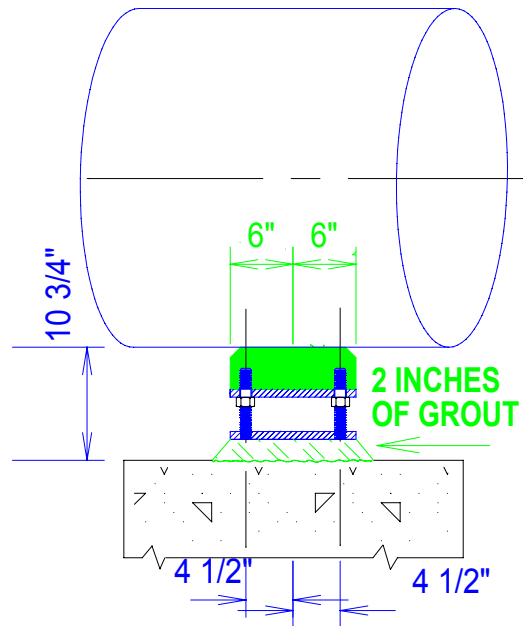
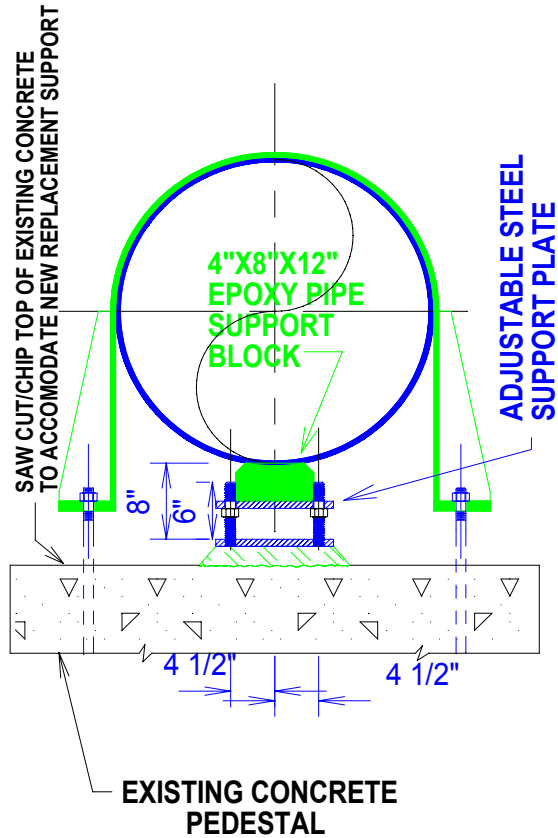
© Copyright 1999 – Robt. L. Rowan & Assoc., Inc.



Adjustable Epoxy Pipe Supports

Revised September 03

HOW TO RETROFIT WITH THE ROWAN EASY INSPECTION PIPE SUPPORT DESIGN



Robt. L. Rowan & Assoc., Inc. · 3816 Dacoma · P.O. Box 920760 · Houston, Texas 77292-0760
Tel (713) 681-5811 · Toll Free (800) 231-2908 · Fax (713) 681-5815

Visit our website at www.rlrowan.com

© Copyright 1999 – Robt. L. Rowan & Assoc., Inc.